

# AUDITOR RCX-100

Woofer (4")

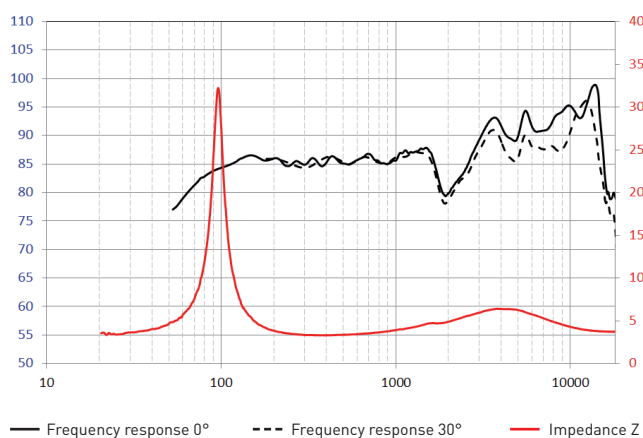


- Polypropylene cone
- Steel basket
- Mylar tweeter

## SPECIFICATIONS

Nominal power	30W RMS	
Maximum power	60W	
Sensitivity (2,83V/1m)	88dB	
Frequency response	80Hz-21kHz	
Cone type	Polypropylene	
Surround type	Butyl	
Nom. impedance	4Ω	
DC resistance	3.3Ω	
VC diameter	25mm	1"
Net weight	450g	0.99lbs

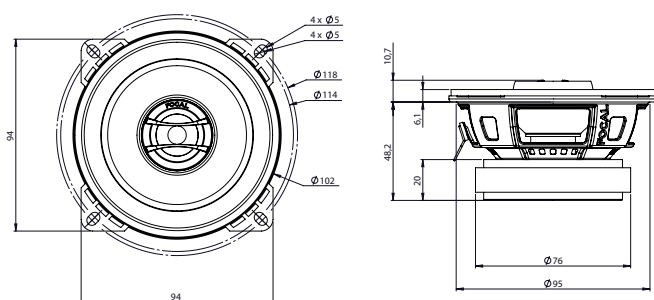
## FREQUENCY RESPONSE/IMPEDANCE



## PARAMETERS

Fs	95Hz
Vas	2l
Qts	0.7
Qes	0.75
Qms	7.5
Re	3.3Ω
Sd	50cm <sup>2</sup>
Cms	0.5mm/N
Mms	6.2g
Bl	3.8 N/A

## MECHANICAL DRAWING



**Performance**  
CREATE YOUR SOUND

**FOCAL**