

# UNIVERSAL ICU130

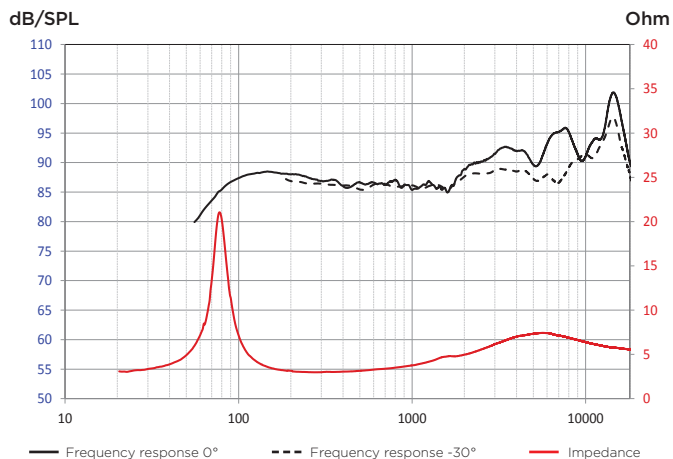
Technical Sheet

## Woofer



- Polyglass cone, natural sound
- Compact dimensions, easy to install

## FREQUENCY RESPONSE/IMPEDANCE



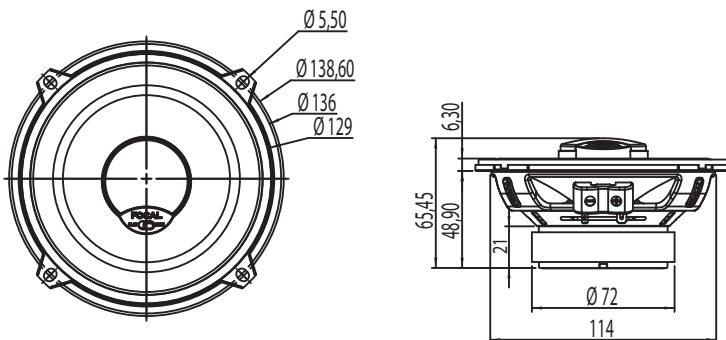
## SPECIFICATIONS

Nominal power	60W RMS	
Maximum power	120W	
Sensitivity (2,83V/1m)	91.8dB	
Frequency response	90Hz-21kHz	
Cone type	Polyglass	
Surround type	Butyl	
Nom. impedance	4Ω	
VC diameter	25mm	1"
Net weight	550g	1.2lbs

## PARAMETERS

Fs	80Hz
Vas	5l
Qts	0.75
Qes	0.85
Qms	6
Re	2.7Ω
Sd	84cm <sup>2</sup>
Cms	0.5mm/N
Mms	8.2g
Bl	3.6N/A

## MECHANICAL DRAWING



**Integration**  
INSTANT GRATIFICATION