

# K2 POWER EC 165 K

Woofer 6<sup>1/2</sup>"

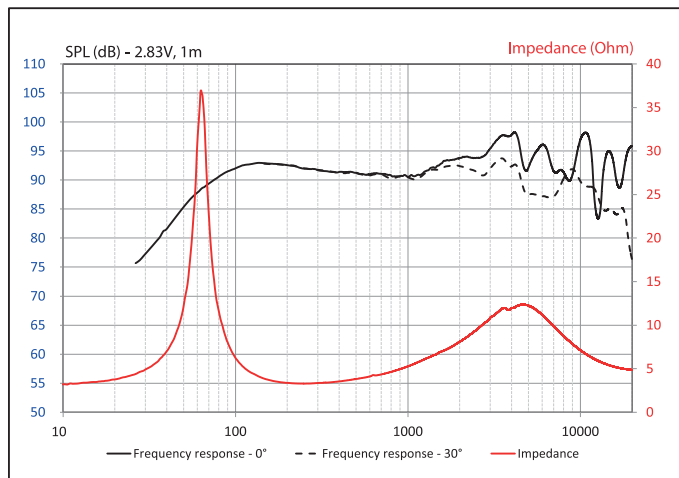


- K2 Power sandwich cone
- "TMD" surround (patented technology)
- Aluminum basket

## SPECIFICATIONS

Nominal power	80W	
Maximum power	160W	
Sensitivity (2,83V/1m)	93dB	
Cone	Kevlar sandwich	
Nom. impedance	4Ω	
Surround	Butyl	
DC resistance	3Ω	
VC diameter	25mm	1"
Former	Kapton	
Layers	2	
Wire	CCA	
Net weight	1100g	2.43lbs

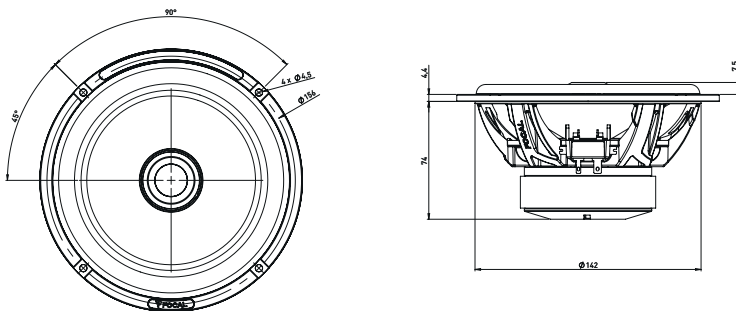
## FREQUENCY RESPONSE/IMPEDANCE



## PARAMETERS

Rdc	3 Ω
Fs	65Hz
Mms	13.9g
Cms	0.43mm/N
Vas	10l
Qts	0.55
Qes	0.6
Qms	7
Bxl	5.3 N/A
Sd	128.7cm <sup>2</sup>
SPL	90dB
Xmax	4.5mm

## MECHANICAL DRAWING



**Elite**  
"HAUTE COUTURE" SOUND



**FOCAL**  
THE SPIRIT OF SOUND